

New robust multi purpose grab for excavators up to 9t operating weight – ideal for landscaping architecture.

- ▶ **Efficient tool** for the exact positioning of natural rocks and for the handling of filling material – **without additional set-up times.**
- ▶ The **sophisticated ergonomics** and the design of the shells enables loading, sorting, digging and demolition operations with maximum efficiency.
- ▶ **Rigid mounting and flat 360° rotator for precise positioning!**
- ▶ **Long life** due to the use of highly wear resistant material HB400. **Exchangeable teeth.**
- ▶ Optional: accessories such as **bolt-on side walls** and **4-grip.**



Multi Purpose Grab A09H

Type	Width E (mm)	Opening A (mm)	Height C max. (mm)	Volume (Liter)	Teeth (#)	Weight (kg)	Load capacity* form locking (kg)	Load capacity* friction locking (kg)
A09H-50	500	1650	1000	175	5	350	2500	1500

*) the load capacity indicated depends on the characteristics of the load (surface, largeness etc.)

Package consists of: multi purpose grab, bolt-on teeth, **KINSHOFER** rotator and non-return valve

KINSHOFER Rotator

Continuous rotation and two oil passages. Overload protection is ensured by pressure relief valves.

Type	Upper dimension (hole/Ø-hole pattern) (mm)	Torque (Nm)	Bending moment max. max. (Nm)
KM 15 F273/273	10 x M16 / Ø 273	2000	50000

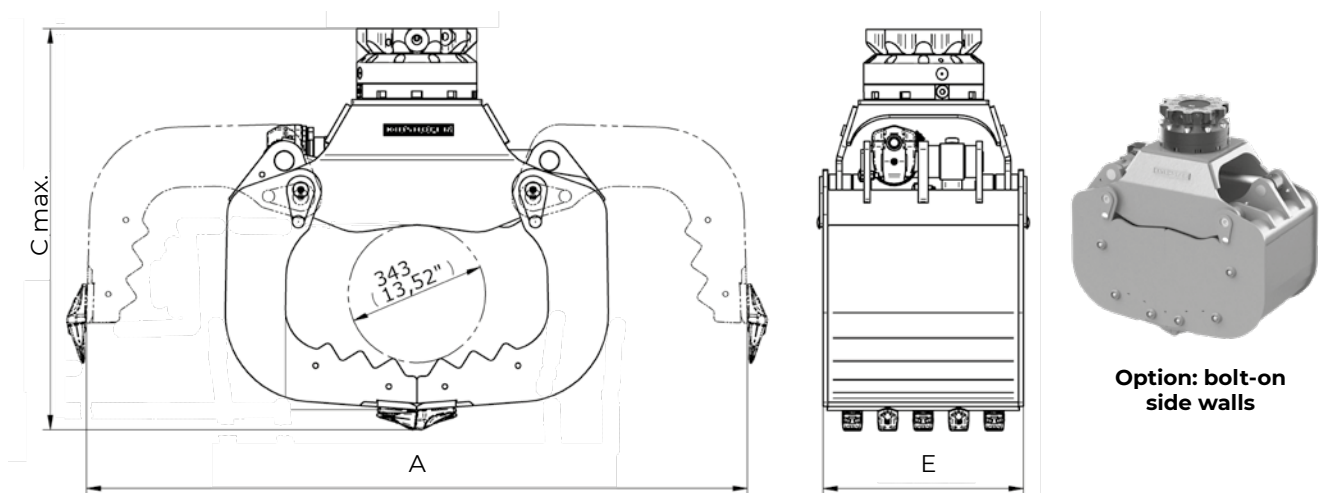
Accessories

Type	Description
KM 691 8t	adapter plate for specific solutions – up to 8t
KM 690 8t	adapter for rigid mounting – up to 8t
OQ45/4 rigid	bolt-on adapter for Oilquick OQ45 – 5t to 12t
KSW08 rigid	bolt-on adapter for system L-Lock KMS08L/KHS08L for rigid mounting – up to 12t
KM 980-2 2t-8t c	adapters for quick change systems from other manufacturers or different sizes on request
KM 685 09E-A02-A09	solenoid valve for additional circuit, up to 26 MPa, incl. parts and mounting
KM 685 09E-A02-A09	bolt-on side walls for A02 up to A09
KM 685 05-D09-A09	4-grip for D09/A09 (load capacity: 750 kg)

Requirements of carrier machine

Operating pressure (open/close):	max. 32 MPa (320 bar)
Recommended pump capacity (open/close):	25 - max. 90 l/min
Operating pressure (rotate):	max. 32 MPa (320 bar)
Recommended pump capacity (rotate):	20 - max. 50 l/min

Technical drawing



Option: bolt-on side walls