

Earth Drills 1 - 5t

X1500 / X2000 / X2500 /
3000MAX / 3500MAX / 4500MAX

The robust earth drills for micro and mini excavators from 1t to 5t operating weight are an economical and customized solution for drilling holes for e.g. fencing, road signage, landscaping and tree planting. Well borings, screw pile installations and sound barrier installations are also no problem for the earth drills.

- ▶ **Non Dislodgement Shaft (NDS)** for more safety and lower down times, as this unique construction prevents the output shaft from dislodgement.
- ▶ **Pre-filled with a colored gear oil.** Not only is the use of a colored oil a good indicator of correct service, but it also aids identifying possible hydraulic oil leaks.
- ▶ The heavy duty fabricated hoods feature **forged steel ears**; these high strength ears easily transmit the high torsional loads, experienced whilst drilling, without becoming fatigued.
- ▶ **Easy access oil service points.**



Earth Drills X1500 / X2000 / X2500 / 3000MAX / 3500MAX / 4500MAX

Type	Operating weight (t)	Shaft	Rotations (RPM)	Height (mm)	Diameter (mm)	Weight (kg)	Matching augers
X1500	1 - 2	65 mm round	44 - 98	585	200	46	S4 100 - 400
X2000	1 - 2,5	65 mm round	43 - 99	585	200	47	S4 100 - 450
X2500	1,5 - 3	65 mm round	36 - 87	585	200	48	S4 100 - 500
3000MAX	2 - 4	65 mm round	36 - 100	665	244	71	S4 100 - 600
3500MAX	2,5 - 4,5	65 mm round	42 - 90	665	244	73	S4 100 - 750
4500MAX	3 - 5	65 mm round	43 - 81	665	244	75	S4 100 - 900

Package consists of: earth drill

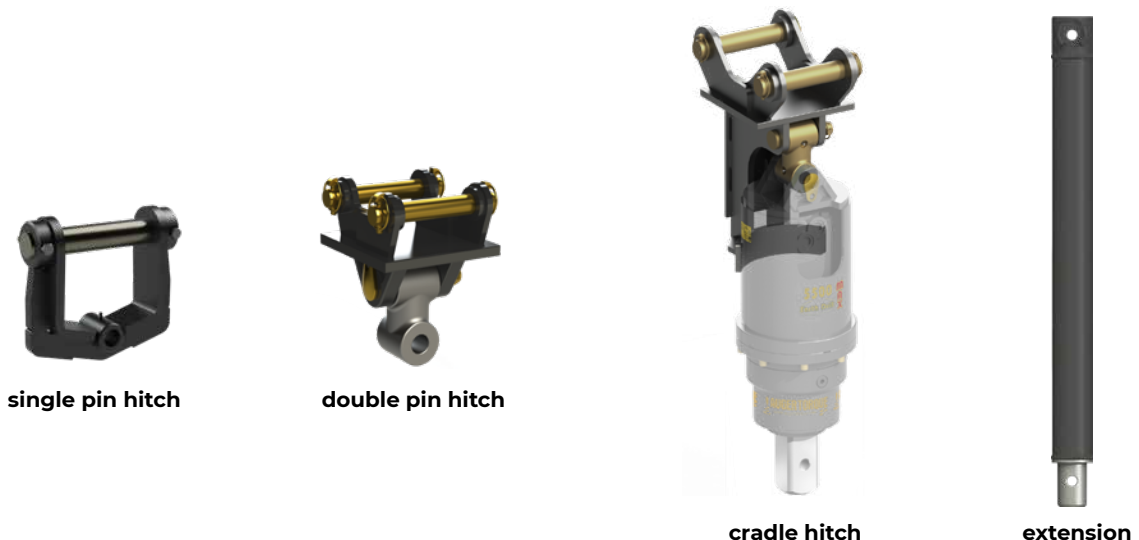
Accessories

Type	Description
S4 Ext-E 500	extension for X1500 to 4500MAX and S4 augers – 500 mm length
S4 Ext-E 800	extension for X1500 to 4500MAX and S4 augers – 800 mm length
S4 Ext-E 1000	extension for X1500 to 4500MAX and S4 augers – 1000 mm length
single pin hitch	for earth drills X1500 to 4500MAX
double pin hitch	for earth drills X1500 to 4500MAX
cradle hitch	for earth drills X1500 to 4500MAX

Technical data

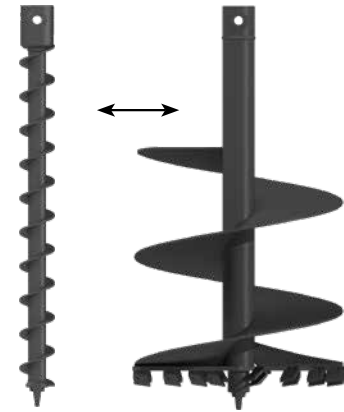
Type	X1500	X2000	X2500	3000MAX	3500MAX	4500MAX
Hydr. pressure:	70 - 205 bar	70 - 240 bar	70 - 240 bar	80 - 240 bar	80 - 240 bar	80 - 240 bar
Oil flow:	20 - 45 l/min	25 - 57 l/min	27 - 65 l/min	27 - 75 l/min	40 - 85 l/min	50 - 95 l/min
Torque range:	511 - 1496 Nm	639 - 2190 Nm	830 - 2847 Nm	959 - 2877 Nm	1205 - 3614 Nm	1500 - 4499 Nm

Pictures



The S4 auger is perfectly matched to the earth drills with 1t to 5t operating weight and every task. A constant spiral configuration and a shallow pitch flight guarantee extreme efficiency and productivity. Suitable for mini excavators from 1t to 5t operating weight, mini loaders and skidsteer loaders up to 80 PS.

- ▶ **Higher productivity** by constant spiral configuration and the perfectly angled tooth holder.
- ▶ **Interchangeable pilots and teeth** allow for differing ground conditions.
- ▶ **Easy fitting of teeth and pilots.**
- ▶ **Patented Shock Lock-System:** incorporating a shock absorbing rubber element to protect the tungsten carbide on the tooth assembly coupled with a solid locking pin to prevent tooth loss.
- ▶ **High flexibility** thanks to different auger extensions.



S4 Augers (specify choice of pilot and teeth when ordering)

Type	Diameter (mm)	Spiral length (mm)	Total length (mm)	Connection	Weight (kg)	Number of teeth	Tooth type
S4-100-E Earth					17	0	Earth
S4-100-E Tungsten	100	950	1200	65 mm round	17	0	Tungsten
S4-100-E Extra-Dig					17	0	Extra-Dig*
S4-150-E Earth					21	2	Earth
S4-150-E Tungsten	150	780	1200	65 mm round	22	2	Tungsten
S4-150-E Extra-Dig					22	2	Extra-Dig*
S4-200-E Earth					24	2	Earth
S4-200-E Tungsten	200	750	1200	65 mm round	24	2	Tungsten
S4-200-E Extra-Dig					24	2	Extra-Dig*
S4-225-E Earth					27	2	Earth
S4-225-E Tungsten	225	750	1200	65 mm round	28	2	Tungsten
S4-225-E Extra-Dig					27	2	Extra-Dig*
S4-250-E Earth					27	3	Earth
S4-250-E Tungsten	250	700	1200	65 mm round	28	3	Tungsten
S4-250-E Extra-Dig					28	3	Extra-Dig*
S4-300-E Earth					32	4	Earth
S4-300-E Tungsten	300	700	1200	65 mm round	33	4	Tungsten
S4-300-E Extra-Dig					32	4	Extra-Dig*
S4-350-E Earth					35	4	Earth
S4-350-E Tungsten	350	675	1200	65 mm round	36	4	Tungsten
S4-350-E Extra-Dig					36	4	Extra-Dig*
S4-400-E Earth					38	5	Earth
S4-400-E Tungsten	400	625	1200	65 mm round	39	5	Tungsten
S4-400-E Extra-Dig					38	5	Extra-Dig*
S4-450-E Earth					42	6	Earth
S4-450-E Tungsten	450	625	1200	65 mm round	63	6	Tungsten
S4-450-E Extra-Dig					63	6	Extra-Dig*
S4-500-E Earth					48	6	Earth
S4-500-E Tungsten	500	625	1200	65 mm round	48	6	Tungsten
S4-500-E Extra-Dig					48	6	Extra-Dig*
S4-600-E Earth					54	8	Earth
S4-600-E Tungsten	600	600	1200	65 mm round	56	8	Tungsten
S4-600-E Extra-Dig					55	8	Extra-Dig*
S4-700-E Earth					65	9	Earth
S4-700-E Tungsten	700	525	1200	65 mm round	66	9	Tungsten
S4-700-E Extra-Dig					65	9	Extra-Dig*
S4-750-E Earth					70	9	Earth
S4-750-E Tungsten	750	525	1200	65 mm round	71	9	Tungsten
S4-750-E Extra-Dig					71	9	Extra-Dig*
S4-800-E Earth					76	10	Earth
S4-800-E Tungsten	800	525	1200	65 mm round	76	10	Tungsten
S4-800-E Extra-Dig					76	10	Extra-Dig*
S4-900-E Earth					87	10	Earth
S4-900-E Tungsten	900	525	1200	65 mm round	88	10	Tungsten
S4-900-E Extra-Dig					88	10	Extra-Dig*

* Extra-dig = Tungsten-teeth and extra-dig pilot

Earth Drills 4,5 - 8t

5500MAX /
7000MAX / 8000MAX

The robust earth drills for excavator from 5t to 8t operating weight are an economical and customized solution for drilling holes for e.g. fencing, road signage, landscaping and tree planting. Well borings, screw pile installations and sound barrier installations are also no problem for the earth drills.

The earth drills are also suitable for backhoes

- ▶ **Non Dislodgement Shaft (NDS)** for more safety and lower down times, as this unique construction prevents the output shaft from dislodgement.
- ▶ **Pre-filled with a colored gear oil.** Not only is the use of a colored oil a good indicator of correct service, but it also aids identifying possible hydraulic oil leaks.
- ▶ The heavy duty fabricated hoods feature **forged steel ears**; these high strength ears easily transmit the high torsional loads, experienced whilst drilling, without becoming fatigued.
- ▶ **Easy access oil service points.**



Earth Drills 5500MAX / 7000MAX / 8000MAX

Type	Operating weight (t)	Shaft	Rotations (RPM)	Height (mm)	Diameter (mm)	Weight (kg)	Matching augers
5500MAX	4,5 - 7	75 mm square	30 - 87	780	269	108	S5 150 - 750
7000MAX	5 - 7	75 mm square	36 - 81	780	269	112	S5 150 - 900
8000MAX	6 - 8	75 mm square	33 - 70	780	269	116	S5 150 - 1000

Package consists of: earth drill

Accessories

Type	Description
S5 Ext-E 1000	extension for earth drills and S5 augers – 1000 mm Länge
S5 Ext-E 1500	extension for earth drills and S5 augers – 1500 mm Länge
S5 Ext-E 2000	extension for earth drills and S5 augers – 2000 mm Länge
S6 TeleExt-E 1500	telescopic extension for earth drills and S5/S6 augers from diameter 300 mm – 1500 mm length
S6 TeleExt-E 2000	telescopic extension for earth drills and S5/S6 augers from diameter 300 mm – 2000 mm length
single pin hitch	for earth drills
double pin hitch	for earth drills
cradle hitch	for earth drills

Technical data

Type	5500MAX	7000MAX	8000MAX
Hydraulic pressure:	80 - 260 bar	80 - 260 bar	80 - 240 bar
Oil flow:	40 - 115 l/min	60 - 135 l/min	70 - 150 l/min
Torque range:	1685 - 5477 Nm	2133 - 6931 Nm	2717 - 8152 Nm

Pictures



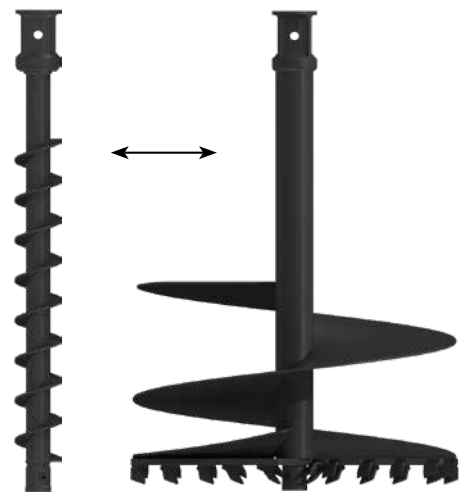
single pin hitch

cradle hitch

extension / telescopic extension

The S5 auger is perfectly matched to the corresponding earth drills and every task. A constant spiral configuration and a shallow pitch flight guarantee extreme efficiency and productivity. Suitable for excavators from 4,5t to 8t operating weight, telehandlers and high flow skidsteer loaders.

- ▶ **Higher productivity** by constant spiral configuration and the perfectly angled tooth holder.
- ▶ **Interchangeable pilots and teeth** allow for differing ground conditions.
- ▶ **Easy fitting of teeth and pilots.**
- ▶ **Patented Shock Lock-System:** incorporating a shock absorbing rubber element to protect the tungsten carbide on the tooth assembly coupled with a solid locking pin to prevent tooth loss.
- ▶ **High flexibility** thanks to different auger extensions and telescopic extensions.



S5 Augers (specify choice of pilot and teeth when ordering)

Type	Diameter (mm)	Spiral length (mm)	Total length (mm)	Connection	Weight (kg)	Number of teeth	Tooth type
S5-150-E Earth	150	1080	1500	75 mm square	36	0	Earth
S5-150-E Tungsten					36	0	Tungsten
S5-150-E Rock					37	2	Rock
S5-200-E Earth	200	977	1500	75 mm square	41	2	Earth
S5-200-E Tungsten					40	2	Tungsten
S5-200-E Rock					40	3	Rock
S5-225-E Earth	225	975	1500	75 mm square	45	2	Earth
S5-225-E Tungsten					44	2	Tungsten
S5-225-E Rock					44	4	Rock
S5-250-E Earth	250	965	1500	75 mm square	46	2	Earth
S5-250-E Tungsten					46	2	Tungsten
S5-250-E Rock					45	4	Rock
S5-300-E Earth	300	900	1500	75 mm square	51	4	Earth
S5-300-E Tungsten					51	4	Tungsten
S5-300-E Rock					50	5	Rock
S5-350-E Earth	350	900	1500	75 mm square	56	4	Earth
S5-350-E Tungsten					56	4	Tungsten
S5-350-E Rock					55	6	Rock
S5-400-E Earth	400	875	1500	75 mm square	62	5	Earth
S5-400-E Tungsten					61	5	Tungsten
S5-400-E Rock					59	7	Rock
S5-450-E Earth	450	750	1500	75 mm square	66	6	Earth
S5-450-E Tungsten					66	6	Tungsten
S5-450-E Rock					63	8	Rock
S5-500-E Earth	500	750	1500	75 mm square	73	6	Earth
S5-500-E Tungsten					73	6	Tungsten
S5-500-E Rock					73	6	Rock
S5-600-E Earth	600	750	1500	75 mm square	84	8	Earth
S5-600-E Tungsten					84	8	Tungsten
S5-600-E Rock					82	11	Rock
S5-700-E Earth	700	700	1500	75 mm square	99	9	Earth
S5-700-E Tungsten					99	9	Tungsten
S5-700-E Rock					95	13	Rock
S5-750-E Earth	750	700	1500	75 mm square	101	9	Earth
S5-750-E Tungsten					101	9	Tungsten
S5-750-E Rock					95	14	Rock
S5-800-E Earth	800	700	1500	75 mm square	109	9	Earth
S5-800-E Tungsten					109	9	Tungsten
S5-800-E Rock					113	15	Rock
S5-900-E Earth	900	700	1500	75 mm square	137	10	Earth
S5-900-E Tungsten					137	10	Tungsten
S5-900-E Rock					133	17	Rock
S5-1000-E Earth	1000	525	1500	75 mm square	119	11	Earth
S5-1000-E Tungsten					119	11	Tungsten
S5-1000-E Rock					133	19	Rock

The robust earth drills for excavators from 10t to 22t operating weight is an economical and customized solution for drilling holes for e.g. fencing, road signage, landscaping and tree planting. Well borings, screw pile installations and sound barrier installations are also no problem for the earth drills.

- ▶ **Non Dislodgement Shaft (NDS)** for more safety and lower down times, as this unique construction prevents the output shaft from dislodgement.
- ▶ **Pre-filled with a colored gear oil.** Not only is the use of a colored oil a good indicator of correct service, but it also aids identifying possible hydraulic oil leaks.
- ▶ The heavy duty fabricated hoods feature **forged steel ears**; these high strength ears easily transmit the high torsional loads, experienced whilst drilling, without becoming fatigued.
- ▶ **Easy access oil service points.**
- ▶ Optional for screw pile installation: **torque meter** for real time applied torque measuring.



Earth Drills 15000MAX / 20000MAX / 25000MAX

Type	Operating weight (t)	Shaft	Rotations (RPM)	Height (mm)	Diameter (mm)	Weight (kg)	Matching augers
15000MAX	10 - 15	75 mm square	20 - 43	930	290	173	S6 150 - 1200
20000MAX	13 - 20	75 mm square	16 - 33	1130	345	268	S6 150 - 1200
25000MAX	15 - 22	75 mm square	12 - 26	1130	345	269	S6 150 - 1500

Package consists of: earth drill

Accessories

Type	Description
S6 Ext-E 1500	extension for earth drills 15000MAX to 25000MAX and S6 augers – 1500 mm length
S6 Ext-E 2000	extension for earth drills 15000MAX to 25000MAX and S6 augers – 2000 mm length
S6 Ext-E 2500	extension for earth drills 15000MAX to 25000MAX and S6 augers – 2500 mm length
S6 Ext-E 3000	extension for earth drills 15000MAX to 25000MAX and S6 augers – 3000 mm length
single pin hitch	for earth drills 15000MAX to 25000MAX
double pin hitch	for earth drills 15000MAX to 25000MAX
cradle hitch	for earth drills 15000MAX to 25000MAX
PRV-15000MAX-25000MAX	pressure relief valve for earth drills 15000MAX to 25000MAX
Valve-300LPM	for earth drill 15000MAX to 25000MAX to rotate bi-directionally with the hammer hydraulic when there is no double-acting hammer circuit available
TM25	torque meter for screw pile installations up to 25000 Nm

Technical data

	15000MAX	20000MAX	25000MAX
Hydraulic pressure:	80 - 240 bar	160 - 240 bar	160 - 240 bar
Oil flow:	80 - 170 l/min	80 - 170 l/min	80 - 170 l/min
Torque range:	5024 - 15071 Nm	13043 - 19564 Nm	16503 - 24755 Nm

Pictures



single pin hitch



double pin hitch



bi-directional valve



cradle hitch



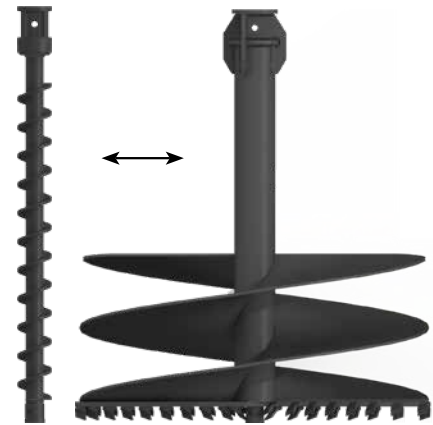
pressure relief valve



extension / telescopic extension

The S6 auger is perfectly matched to the corresponding earth drills and every task. A constant spiral configuration and a shallow pitch flight guarantee extreme efficiency and productivity. Suitable for excavators from 8t to 15t operating weight and backhoes.

- ▶ **Higher productivity** by constant spiral configuration and the perfectly angled tooth holder.
- ▶ **Interchangeable pilots and teeth** allow for differing ground conditions.
- ▶ **Easy fitting of teeth and pilots.**
- ▶ **Patented Shock Lock-System:** incorporating a shock absorbing rubber element to protect the tungsten carbide on the tooth assembly coupled with a solid locking pin to prevent tooth loss.
- ▶ **High flexibility** thanks to different auger extensions and telescopic extensions.



S6 Augers (specify choice of pilot and teeth when ordering)

Type	Diameter (mm)	Spiral length (mm)	Total length (mm)	Connection	Weight (kg)	Number of teeth	Tooth type
S6-150 Earth					58	0	Earth
S6-150 Tungsten	150	1320	1880	75 mm square	58	0	Tungsten
S6-150 Rock					58	2	Rock
S6-1000 Earth					55	2	Earth
S6-1000 Tungsten	200	1200	1880	75 mm square	59	2	Tungsten
S6-1000 Rock					59	3	Rock
S6-225 Earth					62	2	Earth
S6-225 Tungsten	225	1203	1880	75 mm square	62	2	Tungsten
S6-225 Rock					62	4	Rock
S6-250 Earth					67	2	Earth
S6-250 Tungsten	250	1225	1880	75 mm square	67	2	Tungsten
S6-250 Rock					66	4	Rock
S6-300 Earth					82	4	Earth
S6-300 Tungsten	300	1200	1880	75 mm square	82	4	Tungsten
S6-300 Rock					81	5	Rock
S6-350 Earth					90	4	Earth
S6-350 Tungsten	350	1125	1880	75 mm square	90	4	Tungsten
S6-350 Rock					89	6	Rock
S6-400 Earth					98	5	Earth
S6-400 Tungsten	400	1000	1880	75 mm square	98	5	Tungsten
S6-400 Rock					97	7	Rock
S6-450 Earth					111	6	Earth
S6-450 Tungsten	450	1000	1880	75 mm square	111	6	Tungsten
S6-450 Rock					109	8	Rock
S6-500 Earth					125	6	Earth
S6-500 Tungsten	500	1000	1880	75 mm square	125	6	Tungsten
S6-500 Rock					123	9	Rock
S6-600 Earth					137	8	Earth
S6-600 Tungsten	600	900	1880	75 mm square	138	8	Tungsten
S6-600 Rock					136	11	Rock
S6-700 Earth					159	9	Earth
S6-700 Tungsten	700	875	1880	75 mm square	159	9	Tungsten
S6-700 Rock					155	13	Rock
S6-750 Earth					168	9	Earth
S6-750 Tungsten	750	875	1880	75 mm square	168	9	Tungsten
S6-750 Rock					170	14	Rock
S6-800 Earth					189	9	Earth
S6-800 Tungsten	800	875	1880	75 mm square	189	9	Tungsten
S6-800 Rock					187	15	Rock
S6-900 Earth					224	10	Earth
S6-900 Tungsten	900	875	1880	75 mm square	224	10	Tungsten
S6-900 Rock					221	17	Rock
S6-1000 Earth					229	11	Earth
S6-1000 Tungsten	1000	700	1880	75 mm square	229	11	Tungsten
S6-1000 Rock					226	19	Rock
S6-1200 Earth					316	15	Earth
S6-1200 Tungsten	1200	600	1880	75 mm square	316	15	Tungsten
S6-1200 Rock					316	23	Rock
S6-1500 Earth					-	-	Earth
S6-1500 Tungsten	1500	600	1880	75 mm square	-	-	Tungsten
S6-1500 Rock					-	-	Rock

The robust earth drills for excavators from 20t to 45t operating weight is an economical and customized solution for drilling holes for e.g. fencing, road signage, landscaping and tree planting. Well borings, screw pile installations and sound barrier installations are also no problem for the earth drills.

- ▶ **Non Dislodgement Shaft (NDS)** for more safety and lower down times, as this unique construction prevents the output shaft from dislodgement.
- ▶ **Pre-filled with a colored gear oil.** Not only is the use of a colored oil a good indicator of correct service, but it also aids identifying possible hydraulic oil leaks.
- ▶ The heavy duty fabricated hoods feature **forged steel ears**; these high strength ears easily transmit the high torsional loads, experienced whilst drilling, without becoming fatigued.
- ▶ **Easy access oil service points.**
- ▶ Optional for screw pile installation: **torque meter** for real time applied torque measuring.



Erdbohrer für Bagger 35000MAX / 42000MAX / 65000MAX

Type	Operating weight (t)	Shaft	Rotations (RPM)	Height (mm)	Diameter (mm)	Weight (kg)	Matching augers
35000MAX	20 - 45	110 mm square	11 - 31	1411	406	442	PA 300 - 1500
42000MAX	20 - 45	110 mm square	9 - 26	1411	406	442	PA 300 - 1800
65000MAX	21 - 45	110 mm square	8 - 21	1556	406	480	PA 300 - 2400

Package consists of: earth drill

Accessories

Type	Description
PA Ext 2000	extension for earth drills 35000MAX to 65000MAX and PA augers – 2000 mm length
PA Ext 3000	extension for earth drills 35000MAX to 65000MAX and PA augers – 3000 mm length
PA TeleExt 2000	telescopic extension for PA augers – 2000 mm length
PA TeleExt 3000	telescopic extension for PA augers – 3000 mm length
single pin hitch	for earth drills 35000MAX to 65000MAX
adapter plate	for earth drills 35000MAX to 65000MAX
cradle hitch	for earth drills 35000MAX to 65000MAX
Valve-300LPM	for earth drill 35000MAX to 65000MAX to rotate bi-directionally with the hammer hydraulic when there is no double-acting hammer circuit available
TM65	torque meter for screw pile installations up to 65000 Nm

Technical data

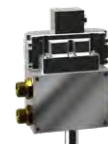
	35000MAX	42000MAX	65000MAX
Hydraulic pressure:	180 - 310 bar	180 - 310 bar	160 - 320 bar
Oil flow:	80 - 225 l/min	80 - 225 l/min	100 - 280 l/min
Torque range:	20510 - 35323 Nm	24612 - 42387 Nm	33295 - 66589 Nm

Pictures



single pin hitch

double pin hitch



bi-directional valve



pressure relief valve



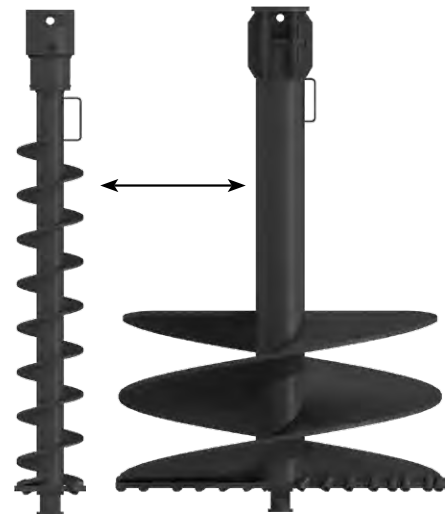
extension / telescopic extension



cradle hitch

The PA auger is perfectly matched to the corresponding earth drills and every task. A constant spiral configuration and a shallow pitch flight guarantee extreme efficiency and productivity. Suitable for excavators from 20t to 45t operating weight.

- ▶ **Higher productivity** by constant spiral configuration and the perfectly angled tooth holder.
- ▶ **Interchangeable pilots and teeth** allow for differing ground conditions.
- ▶ **Easy fitting of teeth and pilots.**
- ▶ **Patented Shock Lock-System:** incorporating a shock absorbing rubber element to protect the tungsten carbide on the tooth assembly coupled with a solid locking pin to prevent tooth loss.
- ▶ **High flexibility** thanks to different auger extensions and telescopic extensions.
- ▶ Available in two lengths: 2380 mm or 3380 mm.



PA Augers 2380 mm (specify choice of pilot and teeth when ordering)

Type	Diameter (mm)	Spiral length (mm)	Total length (mm)	Connection	Weight	Number of teeth	Tooth type
PA-300-2380 Earth	300	1558	2380	110 mm square	165	3	Earth
PA-300-2380 Rock					165	3	Rock
PA-350-2380 Earth	350	1527	2380	110 mm square	177	3	Earth
PA-350-2380 Rock					177	3	Rock
PA-400-2380 Earth	400	1446	2380	110 mm square	190	4	Earth
PA-400-2380 Rock					190	4	Rock
PA-450-2380 Earth	450	1446	2380	110 mm square	211	4	Earth
PA-450-2380 Rock					211	4	Rock
PA-500-2380 Earth	500	1446	2380	110 mm square	235	5	Earth
PA-500-2380 Rock					235	5	Rock
PA-600-2380 Earth	600	1433	2380	110 mm square	167	6	Earth
PA-600-2380 Rock					167	6	Rock
PA-700-2380 Earth	700	1321	2380	110 mm square	294	7	Earth
PA-700-2380 Rock					294	7	Rock
PA-750-2380 Earth	750	1321	2380	110 mm square	318	7	Earth
PA-750-2380 Rock					318	7	Rock
PA-800-2380 Earth	800	1321	2380	110 mm square	344	8	Earth
PA-800-2380 Rock					344	8	Rock
PA-900-2380 Earth	900	1321	2380	110 mm square	412	10	Earth
PA-900-2380 Rock					412	10	Rock
PA-1000-2380 Earth	1000	971	2380	110 mm square	140	10	Earth
PA-1000-2380 Rock					140	10	Rock
PA-1200-2380 Earth	1200	908	2380	110 mm square	522	12	Earth
PA-1200-2380 Rock					522	12	Rock
PA-1500-2380 Earth	1500	750	2380	110 mm square	735	15	Earth
PA-1500-2380 Rock					735	15	Rock

PA Augers 3380 mm (specify choice of pilot and teeth when ordering)

Type	Diameter (mm)	Spiral length (mm)	Total length (mm)	Connection	Tooth type
PA-300-3380 Earth	300	1558	3380	110 mm square	Earth
PA-300-3380 Rock					Rock
PA-350-3380 Earth	350	1527	3380	110 mm square	Earth
PA-350-3380 Rock					Rock
PA-400-3380 Earth	400	1446	3380	110 mm square	Earth
PA-400-3380 Rock					Rock
PA-450-3380 Earth	450	1446	3380	110 mm square	Earth
PA-450-3380 Rock					Rock
PA-500-3380 Earth	500	1446	3380	110 mm square	Earth
PA-500-3380 Rock					Rock
PA-600-3380 Earth	600	1433	3380	110 mm square	Earth
PA-600-3380 Rock					Rock
PA-700-3380 Earth	700	1321	3380	110 mm square	Earth
PA-700-3380 Rock					Rock
PA-750-3380 Earth	750	1321	3380	110 mm square	Earth
PA-750-3380 Rock					Rock
PA-800-3380 Earth	800	1321	3380	110 mm square	Earth
PA-800-3380 Rock					Rock
PA-900-3380 Earth	900	1321	3380	110 mm square	Earth
PA-900-3380 Rock					Rock
PA-1000-3380 Earth	1000	971	3380	110 mm square	Earth
PA-1000-3380 Rock					Rock
PA-1200-3380 Earth	1200	908	3380	110 mm square	Earth
PA-1200-3380 Rock					Rock
PA-1500-3380 Earth	1500	750	3380	110 mm square	Earth
PA-1500-3380 Rock					Rock

Mounting options for Earth Drills

Single pin hitches

Type	for earth drills	with pin Ø (mm)	for operating weight (t)
KM 501-X1500-4500MAX-25	X1500 - 4500MAX	25	1 - 5
KM 501-X1500-4500MAX-30	X1500 - 4500MAX	30	1 - 5
KM 501-X1500-4500MAX-32	X1500 - 4500MAX	32	1 - 5
KM 501-X1500-4500MAX-35	X1500 - 4500MAX	35	1 - 5
KM 501-X1500-4500MAX-38	X1500 - 4500MAX	38	1 - 5
KM 501-X1500-4500MAX-40	X1500 - 4500MAX	40	1 - 5
KM 501-7000MAX-8000MAX-40	7000MAX / 8000MAX	40	4,5 - 8 and loader
KM 501-7000MAX-8000MAX-44,5	7000MAX / 8000MAX	44,5	4,5 - 8 and loader
KM 501-7000MAX-8000MAX-45	7000MAX / 8000MAX	45	4,5 - 8 and loader
KM 501-7000MAX-8000MAX-50	7000MAX / 8000MAX	50	4,5 - 8 and loader
KM 501-7000MAX-8000MAX-55	7000MAX / 8000MAX	55	4,5 - 8 and loader
KM 501-7000MAX-8000MAX-60	7000MAX / 8000MAX	60	4,5 - 8 and loader
KM 501-15000MAX-25000MAX-44,5	15000MAX	44,5	8 - 22
KM 501-15000MAX-25000MAX-45	15000MAX	45	8 - 22
KM 501-15000MAX-25000MAX-50	15000MAX	50	8 - 22
KM 501-15000MAX-25000MAX-55	15000MAX	55	8 - 22
KM 501-15000MAX-25000MAX-60	15000MAX	60	8 - 22



Cardan link with system L-Lock

Type	for earth drills	with adapter	for operating weight (t)
KSW01-X1500	X1500	KSW01	1 - 2
KSW01-X2000	X2000	KSW01	1 - 2,5
KSW03-X2500	X2500	KSW03	1,5 - 3
KSW03-3000MAX	3000MAX	KSW03	2 - 4
KSW03-3500MAX	3500MAX	KSW03	2,5 - 4,5
KSW03-4500MAX	4500MAX	KSW03	3 - 5
KSW03-7000MAX	7000MAX	KSW03	5 - 7 and loader
KSW08-7000MAX	7000MAX	KSW08	5 - 7 and loader
KSW08-8000MAX	8000MAX	KSW08	6 - 8
KSW10-15000MAX	15000MAX	KSW10	10 - 15



Cradle hitch with system L-Lock

Type	for earth drills	with adapter	for operating weight (t)
KSW01-X1500 Cradle	X1500	KSW01	1 - 2
KSW01-X2000 Cradle	X2000	KSW01	1 - 2,5
KSW03-X2500 Cradle	X2500	KSW03	1,5 - 3
KSW03-3000MAX Cradle	3000MAX	KSW03	2 - 4
KSW03-3500MAX Cradle	3500MAX	KSW03	2,5 - 4,5
KSW03-4500MAX Cradle	4500MAX	KSW03	3 - 5
KSW03-7000MAX Cradle	7000MAX	KSW03	5 - 7 and loader
KSW08-7000MAX Cradle	7000MAX	KSW08	5 - 7 and loader
KSW08-8000MAX Cradle	8000MAX	KSW08	6 - 8
KSW10-15000MAX Cradle	15000MAX	KSW10	10 - 15



Lower part of hitch for specific solution

Type	for earth drills	for operating weight (t)
KM 691-X2000-8000MAX	X2000 to 8000MAX	1 - 8 and loader
KM 691-15000MAX-25000MAX	15000MAX	10 - 15



Lower part of cradle hitch for specific solution

Type	for earth drills	for operating weight (t)
KM 691-X2000-X2500 Cradle	X2000 to X2500	1,5 - 3
KM 691-3000MAX-4500MAX Cradle	3000MAX to 4500MAX	2 - 5
KM 691-7000MAX-8000MAX Cradle	7000MAX and 8000MAX	5 - 8 and loader
KM 691-15000MAX Cradle	15000MAX	10 - 15



Mounting options for Earth Drills

Ein-Bolzen-Aufhängungen

Typ	für Erdbohrer	mit Bolzen Ø (mm)	für Dienstgewicht (t)
KM 501-15000MAX-25000MAX-44,5	15000MAX bis 25000MAX	44,5	8 - 22
KM 501-15000MAX-25000MAX-45	15000MAX bis 25000MAX	45	8 - 22
KM 501-15000MAX-25000MAX-50	15000MAX bis 25000MAX	50	8 - 22
KM 501-15000MAX-25000MAX-55	15000MAX bis 25000MAX	55	8 - 22
KM 501-15000MAX-25000MAX-60	15000MAX bis 25000MAX	60	8 - 22
KM 501-15000MAX-25000MAX-65	15000MAX bis 25000MAX	65	8 - 22
KM 501-15000MAX-25000MAX-70	15000MAX bis 25000MAX	70	8 - 22
KM 501-15000MAX-25000MAX-75	15000MAX bis 25000MAX	75	8 - 22
KM 501-15000MAX-25000MAX-80	15000MAX bis 25000MAX	80	8 - 22
KM 501-35000MAX-65000MAX-60	35000MAX bis 65000MAX	60	20 - 45
KM 501-35000MAX-65000MAX-65	35000MAX bis 65000MAX	65	20 - 45
KM 501-35000MAX-65000MAX-70	35000MAX bis 65000MAX	70	20 - 45
KM 501-35000MAX-65000MAX-75	35000MAX bis 65000MAX	75	20 - 45
KM 501-35000MAX-65000MAX-80	35000MAX bis 65000MAX	80	20 - 45
KM 501-35000MAX-65000MAX-90	35000MAX bis 65000MAX	90	20 - 45
KM 501-35000MAX-65000MAX-100	35000MAX bis 65000MAX	100	20 - 45
KM 501-35000MAX-65000MAX-110	35000MAX bis 65000MAX	110	20 - 45



Aufhängungen mit Anschweissadapter für System L-Lock

Typ	für Erdbohrer	mit Adapter	für Dienstgewicht (t)
KSW10-15000MAX	15000MAX	KSW10	10 - 15
KSW10-20000MAX	20000MAX	KSW10	13 - 20
KSW21-25000MAX	25000MAX	KSW21/25	15 - 22
KSW21-35000MAX	35000MAX	KSW21/25	20 - 45
KSW21-42000MAX	42000MAX	KSW21/25	20 - 45
KSW21-65000MAX	65000MAX	KSW21/25	21 - 45



Aufhängungen mit Auflage und Anschweissadapter für System L-Lock

Typ	für Erdbohrer	mit Adapter	für Dienstgewicht (t)
KSW10-15000MAX Cradle	15000MAX	KSW10	10 - 15
KSW10-20000MAX Cradle	20000MAX	KSW10	13 - 20
KSW21-25000MAX Cradle	25000MAX	KSW21/25	15 - 22



Aufhängungsunterteile für Eigenlösung

Typ	für Erdbohrer	für Dienstgewicht (t)
KM 691-15000MAX-25000MAX	15000MAX bis 25000MAX	10 - 22
KM 691-35000MAX-65000MAX	35000MAX bis 65000MAX	20 - 45



Aufhängungsunterteile mit Auflage für Eigenlösung

Typ	Für Erdbohrer	für Dienstgewicht (t)
KM 691-15000MAX Cradle	15000MAX	10 - 15
KM 691-20000MAX-25000MAX Cradle	20000MAX bis 25000MAX	13 - 22

