

Orange peel grab with 4 or 5 tines and 600 l or 800 l volume for the handling of bulky scrap with excavators from 20t to 30t operating weight - for heavy duty tasks.

- ▷ Available in **two different volumes and diverse tine profiles**.
- ▷ Hydraulic cylinders are fitted with **replaceable piston rod protection** and are **hydraulically cushioned**.
- ▷ **Oil distribution and hydraulic hoses are protected** in the carrier.
- ▷ **Reinforced tines** made of wear-resistant steel HB 400.
- ▷ **Weld-on tips** made of high resistant forged and tempered steel HB 500.
- ▷ **High closing force** 27 kN at an operating pressure of 35 MPa.
- ▷ **Accurate fittings** eliminate tine distortion, **solid end stops** (open & close).
- ▷ **Reinforced bolts**, large bearing surface for bolts, specially coated **solid steel bushings**.
- ▷ **Robust, fully integrated rotation** with sturdy slewing ring with internal hoses guarantees optimum force transmission and prevents hose break. The **integrated pressure relief valve** protects against overcharge.
- ▷ **Swivel and bevel sealed**. Rotary feedthrough and motor accessible directly.



### Orange Peel Grab P30VHD

Type	Width E (closed) (mm)	Opening A (mm)	Height C max. (closed) (mm)	Volume (liter)	Number of tines (pcs.)	Weight (kg)	Load capacity (kg)
P30VHD-600-4-F	1520	2130	1980	600	4	1600	7000
P30VHD-600-4-H	1520	2130	1980	600	4	1520	7000
P30VHD-600-4-W	1520	2130	1980	600	4	1385	7000
P30VHD-600-4-T	1520	2130	1980	600	4	1360	7000
P30VHD-600-5-F	1520	2130	1980	600	5	1770	7000
P30VHD-600-5-H	1520	2130	1980	600	5	1670	7000
P30VHD-600-5-W	1520	2130	1980	600	5	1595	7000
P30VHD-600-5-T	1520	2130	1980	600	5	1570	7000
P30VHD-800-5-F	1525	2290	2065	800	5	1750	7000
P30VHD-800-5-H	1525	2290	2065	800	5	1690	7000
P30VHD-800-5-W	1525	2290	2065	800	5	1560	7000
P30VHD-800-5-T	1525	2290	2065	800	5	1540	7000

**Package consists of:** orange peel grab, integrated rotation with sturdy slewing ring, head plate, hose guard, non-return valve and bolt-on bottom plate with welded lifting eye

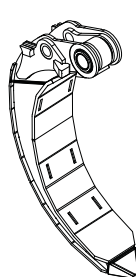
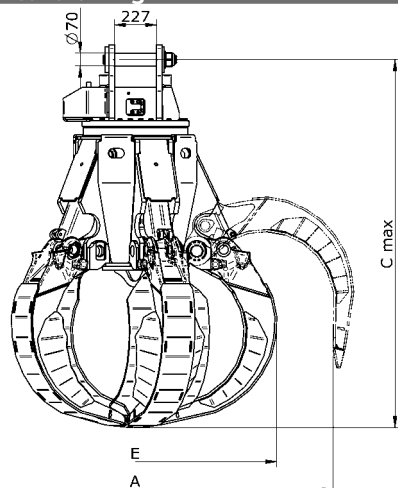
### Accessories

Type	Description
KM 501 RD50	upper suspension without pendulum damper
KSW21/25 cardanic	adapter for system L-Lock KMS21/25L / KHS21/25L incl. cardan link excl. pendulum damper adapters for quick change systems from other manufacturers or different sizes on request

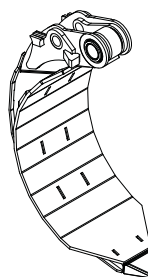
### Requirements of carrier machine

<b>Operating pressure (open/close):</b>	<b>max. 35 MPa (350 bar)</b>
<b>Pump capacity (open/close):</b>	120 - max. 200 l/min
<b>Hydraulic connection (open/close):</b>	1"
<b>Operating pressure (rotate):</b>	<b>17 MPa (170 bar)</b>
<b>Pump capacity (rotate):</b>	20 - max. 30 l/min
<b>Hydraulic connection (rotate):</b>	1/2"

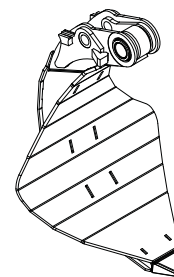
### Technical drawing



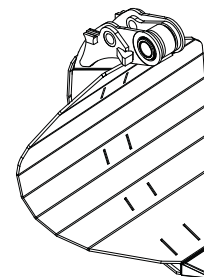
T: small tines



W: wide tines



H: half closing tines



F: fully closing tines