

The robust stump planers for excavators up to 8t and skidsteers guarantee an efficient and clean removal of tree stumps. The robust stump planers are compatible to the most earth drills offered here.

The log splitter for excavators with up to 5t operating weight provide for an effective and simple log splitting.

### Stump Planer:

- ▶ **Different hub options** suitable to the respective earth drill available.
- ▶ The **unique pilot** is drilling into the tree stump and pulling down the planer unerringly.
- ▶ Due to the arrangement of the blades, a new cut is done at each turn.
- ▶ The tree stump is planed off to **small and easy to clean splints**.

### Log Splitter:

- ▶ Pilot and splitter with **self-guiding thread**.
- ▶ Pilot made of **hardened steel**.



SP250

### Stump Planers SP250 / SP350

Type	Operating weight (t)	For earth drills	Diameter (mm)	Length (mm)	Weight (kg)	Hub options (specify when ordering)
SP250-65	1 - 5	X2500 - 4500 MAX	250	635	25	65 mm round
SP250-75	1 - 5	X2500 - 4500 MAX	250	635	25	75 mm square
SP350-65	4,5 - 8	5000 - 8000MAX	350	675	33	65 mm round
SP350-75	4,5 - 8	5000 - 8000MAX	350	675	33	75 mm square

Package consists of: stump planer

### Log Splitter

Type	Operating weight (t)	For earth drills	Diameter (mm)	Length (mm)	Weight (kg)	Hub options
Log Splitter	1 - 5	X1500 - 4500 MAX	180	300	13	65 mm round

Package consists of: log splitter

### Accessories

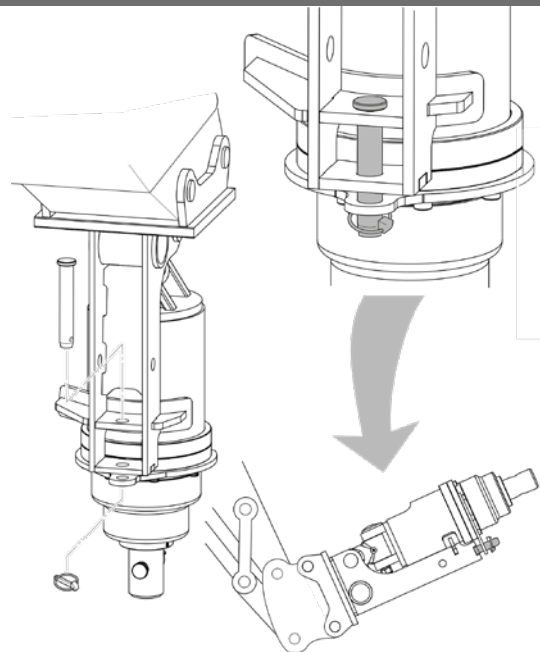
Type	Description
KM 690-X1500-X2500 Cradle Lock	lock pin for cradle hitch X1500 - X2500
KM 690-3000MAX-4500MAX Cradle Lock	lock pin for cradle hitch 3000MAX - 4500MAX
KM 690-5500MAX-8000MAX Cradle Lock	lock pin for cradle hitch 5500MAX - 8000MAX

### Picture

SP350



When the stump planer has cut deep enough, a new cutting position can be set and the procedure repeated until the stump is removed.



Cradle hitch with lock pin for Log Splitter