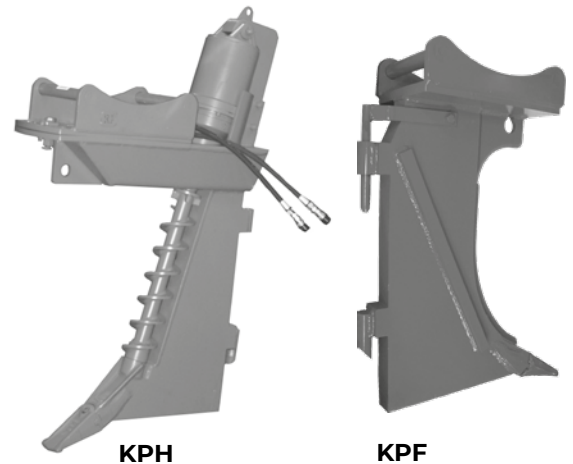


The Cable Ploughs are efficient tools to drill channels for cables or hoses. Depending on the type, the plough is suitable for excavators with up to 12t operating weight. The ploughs are available as mechanical (KPF) and hydraulic (KPH) version.

- ▶ **Solid Design:** very robust without protruding parts.
- ▶ **Robust:** also drills hard soil.
- ▶ **Plough kinematics:** easy plowing, even through roots and other vegetation.
- ▶ **Easy installation** onto the carrier machine.
- ▶ **Different widths** available.
- ▶ **One work step:** opening for positioning of cables or hoses in the channel saves time.
- ▶ **Safety:** better balance between plough and carrier.
- ▶ **KPH:** incl. hydraulic auger.
- ▶ **Optional:** KPL tube layer incl. cable drum mountable.



Cable Ploughs KPF / KPH and Tube Layer KPL

Type	Lower plough width (mm)	Height (mm)	Weight (kg)	Operating weight (t)
KPF 06	50	650	180	3 - 6
KPF 10	50	1000	220	6 - 10
KPH 12	70	1000	250	6 - 12
KPL 01	30	650	50	-
KPL 02	30	1000	60	-
KPL 03	40	1000	65	-
KPL 04	50	1000	70	-
KPL 05	60	1000	75	-
KPL 06	70	1000	95	-
KPL 07	95	1000	115	-
KPL 08	120	1000	140	-

Package consists of: cable plough or tube layer

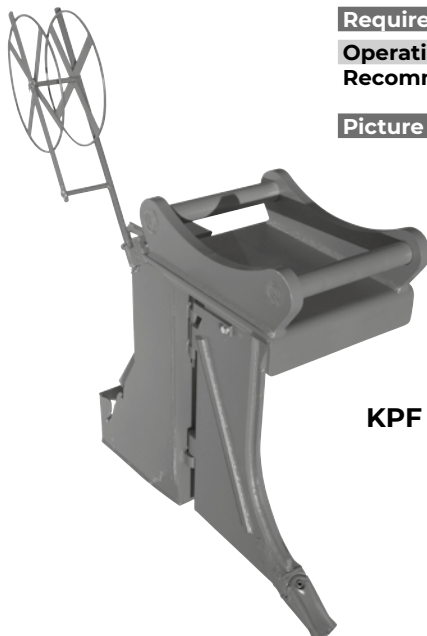
Accessories

Type	Description
KST 09	support for marker tape at tube layer
KST 12	wire rope between cable plough and carrier machine – length 4500 mm
KST 14	cable bender for easier installation of thick cables into KPL weight: 12 kg – dimensions: 1200 mm x 180 mm x 180 mm
KM 690 8t	adapter for rigid mounting – up to 8t
KM 690 15t	adapter for rigid mounting – up to 15t
KSW03 rigid	bolt-on adapter for system L-Lock KMS03L/KHS03L for rigid mounting – up to 6t
KSW08 rigid	bolt-on adapter for system L-Lock KMS08L/KHS08L for rigid mounting – up to 12t
OQ45/2 rigid	bolt-on adapter for OilQuick OQ45 – up to 12t adapters for quick change systems from other manufacturers or different sizes on request

Requirements of carrier machine

Operating pressure max.: 240 bar
Recommended flow: 27 - 75 l/min

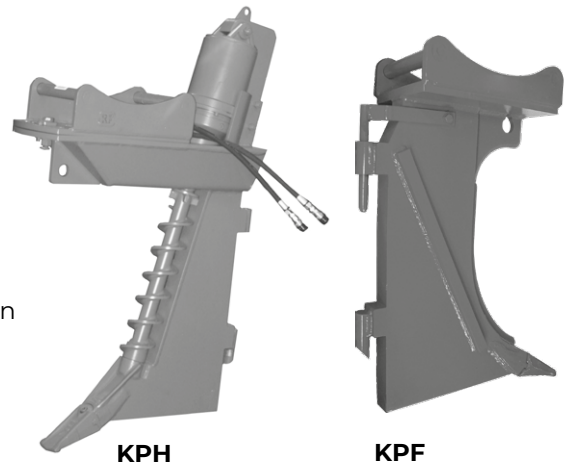
Picture



KPF cable plough with **KPL** tube layer

The Cable Ploughs are efficient tools to drill channels for cables or hoses. Depending on the type, the plough is suitable for excavators with up to 20t operating weight. The ploughs are available as mechanical (KPF) and hydraulic (KPH) version.

- ▶ **Solid Design:** very robust without protruding parts.
- ▶ **Robust:** also drills hard soil.
- ▶ **Plough kinematics:** easy plowing, even through roots and other vegetation.
- ▶ **Easy installation** onto the carrier machine.
- ▶ **Different widths** available.
- ▶ **One work step:** opening for positioning of cables or hoses in the channel saves time.
- ▶ **Safety:** better balance between plough and carrier.
- ▶ **KPH:** incl. hydraulic auger.
- ▶ **Optional:** KPL tube layer incl. cable drum mountable.



Cable Ploughs KPF / KPH and Tube Layers KPL

Type	Lower plough width (mm)	Height (mm)	Weight (kg)	Operating weight (t)
KPF 14	70	1000	300	12 - 14
KPF 18	70	1000	330	14 - 18
KPF 20	70	1000	370	18 - 20
KPH 18	70	1000	300	12 - 18
KPL 01	30	650	50	-
KPL 02	30	1000	60	-
KPL 03	40	1000	65	-
KPL 04	50	1000	70	-
KPL 05	60	1000	75	-
KPL 06	70	1000	95	-
KPL 07	95	1000	115	-
KPL 08	120	1000	140	-

Package consists of: cable plough or tube layer respectively

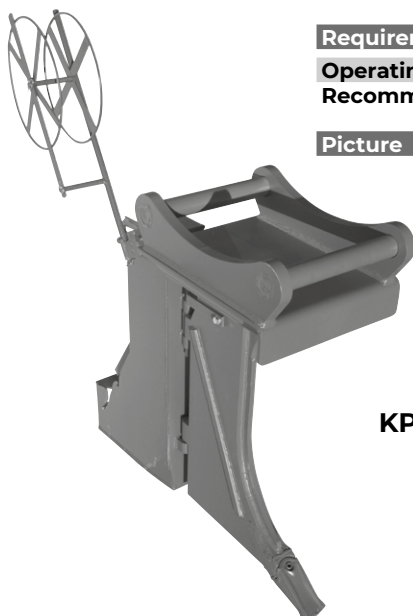
Accessories

Typ	Description
KST 09	support for marker tape at tube layer
KST 12	wire rope between cable plough and carrier machine – length 4500 mm
KST 14	cable bender for easier installation of thick cables into KPL weight: 12 kg – dimensions: 1200 mm x 180 mm x 180 mm
KM 690 15t	adapter for rigid mounting – up to 15t
KM 690 20t	adapter for rigid mounting – up to 20t
KSW10 rigid	bolt-on adapter for system L-Lock KMS10L/KHS10L for rigid mounting – up to 19t
OQ60/2	bolt-on adapter for OilQuick OQ60 – up to 18t
OQ65/2	bolt-on adapter for OilQuick OQ65 – up to 22t
	adapters for quick change systems from other manufacturers or different sizes on request

Requirements of carrier machine

Operating pressure max.:	240 bar
Recommended flow:	27 - 75 l/min

Picture



KPF cable plough with **KPL** tube layer